



Global aviation parts supplier

Military Division



We speak your language

Where in the world can we serve you?



Toronto ★
sales office

Atlanta ★
headquarters

London ★
sales office

Istanbul ★
sales office



Keeping your fleet operational

It's our mission and our passion



★ Delhi
sales office

★ Karachi
sales office



Proud to serve those who serve

Aventure Aviation has a proud heritage of service, dating from our founding in 2001. We have since grown into a world-class, award winning commercial and military aviation parts supplier and provider of component repair management services.

We excel in providing customers with the highest quality parts, best value, fastest delivery, exceptional customer service, and solutions for hard to find parts and repair requirements.

We specialize in serving commercial aircraft from Airbus, Boeing, Bombardier, and Embraer. For our military customers, we specialize in the venerable Lockheed Martin C-130/L-100 and F-16. We also support various other aircraft, including the Boeing F-15, F-18, Northrop F-5, Sikorsky UH-60, and Bell 212/412.

Our customers include the world's leading airlines, air forces, and maintenance, repair and overhaul (MRO) centers. They rely on us to supply parts for their mission critical systems. To ensure a one-stop shop approach, we provide airframe and engine parts and component repair management services for the entire spectrum of ATA chapters.

We are a distributor for original equipment manufacturers (OEMs) who qualify to AS9100 standards. Having earned the aviation industry's stringent ASA-100 accreditation and ASA9120 standards, we are known for our high standards and strong professional ethics. Our knowledgeable team and international network of sales representatives provide 7/24/365 mission-critical services.

Our company continues to achieve significant growth while earning industry awards and recognition as a leading provider of aviation parts and services.

We have you covered

From the world's busiest aviation hub

State-of-the-art facility Geographic advantage

Our headquarters and primary warehouse are strategically located in a purpose-built facility in Peachtree City, Georgia, in close proximity to Atlanta's Hartsfield Jackson International Airport—the world's busiest. This allows us to ship parts to almost any destination up to 10pm.

Working from this global aviation hub, Aventure has the logistical ability to provide prompt and seamless shipments of aircraft parts utilizing all major airlines, freight carriers, courier services, and counter delivery services—allowing us to provide rapid outbound and inbound shipments for our customers around the world.

We are proud to offer our customers the expedited delivery of any AOG/MICAP requirement and shipments, around the clock, seven days a week, year-round.



A tactical advantage

Your real time situational awareness team

Supporting your flying mission

Aventure is a fully accredited aviation parts supplier that maintains the highest industry standards. We have met the stringent requirements of the Aviation Suppliers Association's Quality System ASA-100 accreditation, satisfying the FAA Advisory Circular 00-56A and AS9120 quality standards. Our obsession with high standards have qualified us as an approved supplier to Lockheed Martin and Rolls Royce authorized service centers worldwide.

Our highly experienced team members offer AOG/MICAP 7/24/365 service to our customers around the globe, who rely on us to provide solutions and ensure the delivery of parts to the right location, at the right price, at the right time.

Our Atlanta warehouse stocks thousands of line items comprising of mainly rotables and expendables.

We support Periodic Depot Maintenance (PDM) activities by offering initial spares provisioning,

full management support for component MRO services during the maintenance check layover, and we supply structural parts that may occasionally require special fabrication.

We are able to supply airframe structural components and fittings by working with OEMs and shops to ensure the parts are delivered in form, fit and function to the satisfaction of our customers.

For Rolls Royce Allison T56 military turboprop engines, we provide quick engine change (QEC) parts and accessories including new blades and vanes traced to OEMs.

For customers wishing to reduce their excess inventory or looking for solutions for their surplus inventory, we provide options based on current supply and demand to allow them to decide if surplus consignment or outright sale makes the best economical sense.



You expect it, we demand it

Reliable Maintenance, Repair & Overhaul

Component MRO services

We cover the entire spectrum of ATA chapters in managing MRO components through long-standing partnerships with reputable FAA 145 and EASA 145 approved repair stations. All shops we do business with have undergone Aventure's full inspection criteria and have established industry credentials.

Consider us your partner in success. We ensure quality workmanship, competitive turnaround times, and industry standard warranty coverage for your components under our management. By ensuring your component is rapidly returned to your operations, it reduces your need to secure additional inventory on shelf.

We provide regular status of all your components—allowing you to concentrate on your fleet knowing the work-in-process situation with each unit. We manage the entire logistics operations, visiting shops as necessary to oversee the work and qualifying the defects as reported. We assure reliable MRO services. You are in good hands with Aventure.

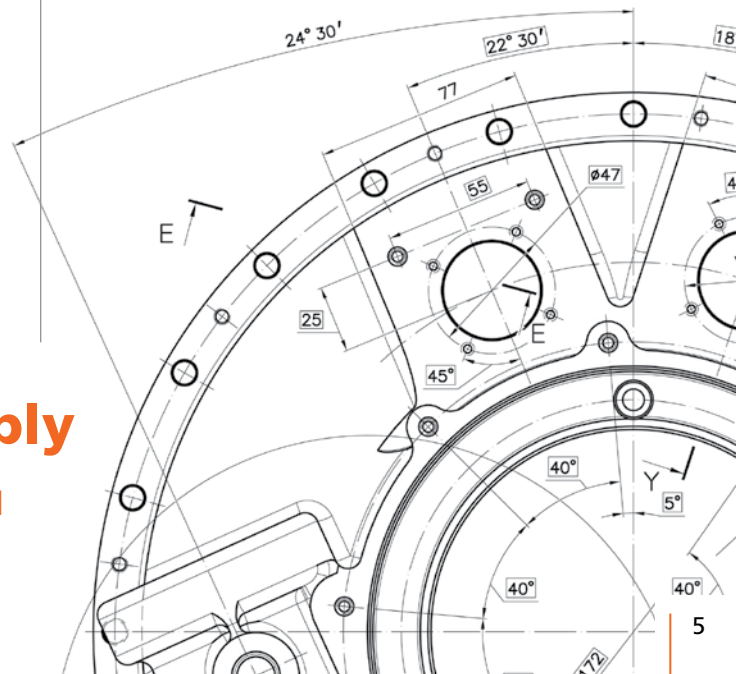




Our capabilities for you

Adventure Aviation supports the following accessories, components and systems:

- Hydraulic actuators, valves, landing gears, integrated drive generators, and major components
- Fuel pumps, engine accessories and related system components
- Auxiliary power units and systems
- Propellers and related components
- Pneumatic systems, heat exchangers, air cooling and turbine systems
- Electro-mechanical parts solenoids and sensors
- Hydraulic, fuel and pneumatic flow control accessories
- Customized solutions and parts built to spec through approved FAA shops
- Flight controls and structural parts
- Avionics accessories and cockpit instrumentation
- Oxygen system, safety equipment and cockpit and cabin interior items
- Engine fan blades and vanes, QEC and accessories
- Line replaceable units
- Expendable hardware
- Wheels, tires, brakes and brake pads
- Windshield and canopies
- Pilot seats and observer seats



Operation parts supply
Always ready to serve you



Atlanta Operations
108 International Drive
Peachtree City, GA 30269, USA
+1.770.632.7930
www.aventureaviation.com

Military parts inquiries:
sales@aventureaviation.com

CAGE code 5DAZ2

DUNS 133357413

Primary NAICS codes supported:

336411 Aircraft manufacturing

336412 Aircraft engine and engine parts
manufacturing

423860 Transportation equipment and supplies

425120 Wholesale trade agents and brokers

488190 Other support activities for air

ITAR and EAR compliant and registered with U.S.
Department of State and Department of Commerce

Certified minority-owned small business

Authorized OEM distributor

AS9120 compliant and ASA100 accreditation